

Since 1968

COMMAX
SmartHome & Security

User Manual

Door camera DRC-41UN



www.commax.com

COMMAX Co.,Ltd.



- Thank you for purchasing COMMAX products.
- Please carefully read this User's Guide (in particular, precautions for safety) before using a product and follow instructions to use a product exactly.
- The company is not responsible for any safety accidents caused by abnormal operation of the product.



Contents

1. Introduction	2
2. Important Safeguard	3
3. Part Names.....	4
4. Installation & Wiring	6
5. Package contents	8
6. Specification	9



1. Introduction

Your unit is designed so it can be flush mounted on the or used. When flush mounted on the wall, the stand permits you to the unit for an gular of unit view. The model number is located on the bottom and record the serial number in the space provided below(available). Refer to these numbers whenever you call upon your COMMAX dealer regarding this product.

Model No.

Serial No.

To prevent fire or shock hazard, do not expose the unit to rain or moisture.



This symbol is intended to alert the use to the presence of uninsulated **"dangerous Voltage"** within the product' s enclose that may be of sufficient magnitude to constitute a risk of electric shock to persons.



This symbol is intended to alert the use to the presence of important operating and maintenance(servicing) instructions in the literature accompanying the appliance



caution

Rosk of electric shock
do not open



CAUTION: To reduce the risk of electrix shick, do not remove cover(or back) no user-serviceable part sinside refer servicing to quared service personnel

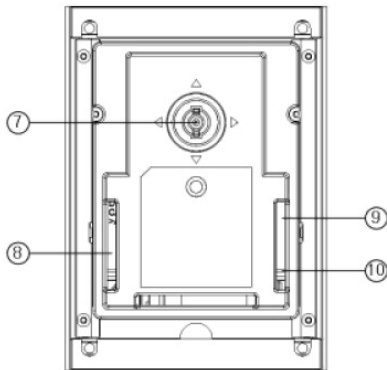
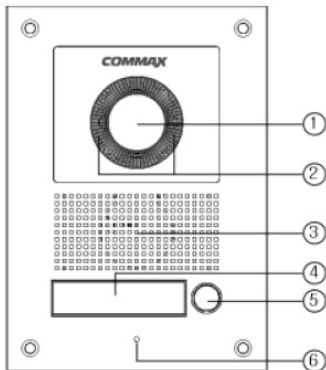


2. Important Safeguard

- ▲ **Damage Requiring Service:** This equipment from the power source and source and refer servicing to qualified service personnel under the following conditions:
 - Ⓐ when the power is damaged.
 - Ⓑ if liquid has been spilled or objects have fallen into the unit
 - Ⓒ if the equipment has been exposed to rain or water.
 - Ⓓ if the equipment has been dropped or otherwise damaged.
 - Ⓔ when the equipment exhibits a distinct change in performance- this indicates a need for service.
- ▲ **Water and Moisture:** Do not use this product near water, for example, near a bath tub, wash bowl, kitchen sink, or laundry tub, in a wet basement, or near a swimming pool, and the like.
- ▲ **Accessories:** The product may fall, causing serious injury to a child or adult, and serious damage to the appliance. Any mounting of the manufacturer's instructions, and should use a mounting accessory recommended by the manufacturer.
- ▲ **Object and Liquid Entry:** Never push objects of any kind into this product through openings as they may touch dangerous voltage points or short-out parts that could result in a fire or electric shock. Never spill liquid of any kind on the product.
- ▲ **Lightning:** For added protection for this product before a lightning storm, or when it is left unattached and unused for long periods of time, unplug it from the wall outlet and disconnect the other system. This will prevent damage to the product due to lightning and power-line surges. If you live in an area heavily prone to lightning storms, it is recommended that you invest in power-line, telephone-line, RF cable and actuator/ polarization surge protectors to protect your appliance system from possible damage



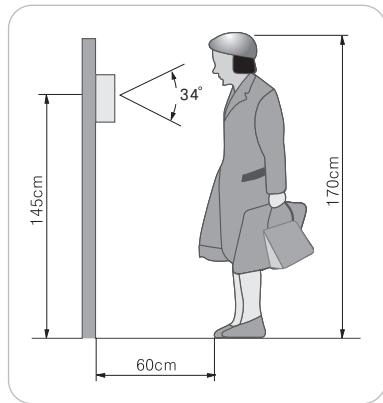
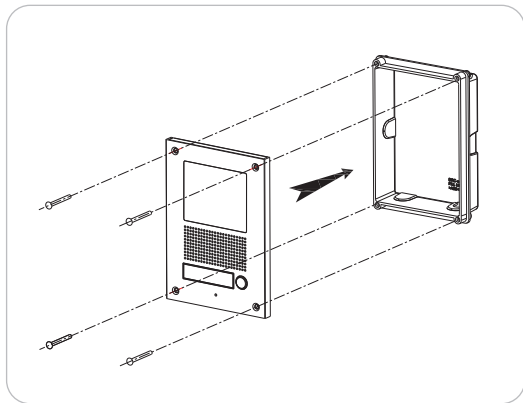
3. Part Names.

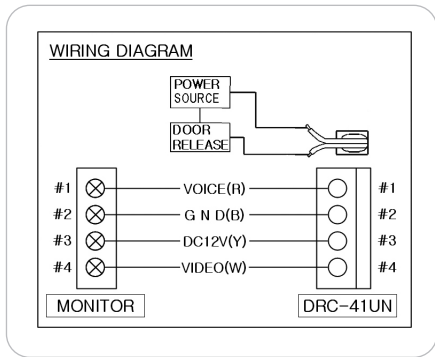


- ① Camera Lens: Transferring images, Keep it clean to get clear view
- ② LED & illumination Sensor : Providing clear image at night
- ③ Speaker : Delivering the voice from the monitor to the camera
- ④ Name card : You can write the house number
- ⑤ Call button : Calling a residence
- ⑥ Microphone : Delivering the voice of visitor to the household
- ⑦ Angle Adjuster : Adjusting the camera lens
- ⑧ Volume Controller VR : Turn it right to increase the volume. ([+], [-]Driver)
- ⑨ Door release cable : Connct it to the door relay
- ⑩ Monitor connecting terminal: Connect it to the monitor (Be careful with the polarity)



4. Installation & Wiring





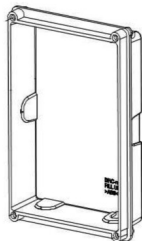
- ① Line up the holes of wall and flush box and fix it on the wall.
- ② Do the monitor wiring considering the polarity according to the the image (Wiring diagram)
- ③ Fit the product from the above and press it against the bracket. Then, check the monitor screen, if it shows the place that you would like to see.
- ④ Fix it from the bottom with the screw



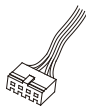
5. Package contents



Door Camera



Flush box



Connector
(4PX200)



Manual



Camera
Screw(4EA)
(M3X8)



6. Specification

Model	DRC-41UN				
Power source	12V (from Monitor)				
Wiring	4 wires(Polariry)C				
Camera Module	C-MOS(COLOR)				
Communication	Duplex				
Frequency	NTSC STANDARD				
Min. Lux.	0.1Lux(300mm from camera)				
Light	LED (Operation in Dark)				
Camera Angle	Horizontal 68°, Vertical 55°				
Angle Adjustment	Up, Down, Left, Right, 10° each				
Temperation	-10°C(tested up to -40°C) ~ +50°C				
Dimesion(mm)	130(W) X 182(H) X 39(D)				
Distance (TIV Cable)	Diameter(pie)	0.5	0.65	0.8	1
	Distance(M)	28	50	70	115

COMMAX

COMMAX Co.,Ltd.

513-11, Sangdaewon-dong, Jungwon-gu, Seongnam-si, Gyeonggi-do, Korea
Int'l Business Dept. : Tel.; +82-31-7393-540~550 Fax.; +82-31-745-2133
Web site : www.commax.com

PM1041UN0010

Printed In Korea / 2013.06.105